

# D fuse-bases

## FUSE HOLDERS, FUSE BASES AND SUPPORTS

### IEC D0 & D FUSE BASES



The D fuse-system is the first generation of the screw fuse-system in the German DIN standard. It is still used in many installations.

Applications are low voltage distribution units, where non-trained persons are allowed to change the fuse-links.

The D fuse-range comprises the sizes NDZ, DII, DIII, DIV, DV.

The range of applications for D fuse-links "gG" is the protection of cables and power lines. They limit and cut off unacceptable overcurrents and short circuit currents up to their nominal breaking capacity. D fuse-links "gG" also protect equipments and installations against dynamic effects of high short circuit currents.

### TECHNICAL DATA OVERVIEW

Voltage AC	500 VAC
Voltage DC	500 VDC
Ampere Range (A)	25 ... 63 A
Product Size	DII/DIII
Number of Poles	single-pole, triple-pole

### FEATURES & BENEFITS

- Insulated body suitable for high mechanical and thermal impacts
- Top and bottom contacts made of nickel plated copper alloy
- Safe cut off short circuits and over currents due to special design of fuse element
- Clear indication of operation condition due to coloured indicator on top contact
- Low power dissipation
- Optimized size
- Resistant to aging
- Free of lead, cadmium, mercury, chrome 6 (rohs conformity)

### APPLICATIONS

- House incoming units
- Meter distribution units
- Distribution cabinets
- Installation cabinets
- Fuse boxes

### STANDARDS

- DIN VDE 0636-3



# D fuse-bases

## PRODUCT RANGE



00685.110000

### Size DII with touch protection, DIN rail mounting

Catalog number	Item number	Rated voltage AC (IEC)	Rated voltage DC (IEC)	Rated current I <sub>n</sub>	Number of poles/phases	Connection	Cable termination	Weight	Package
00685.110000	D211511	500 V	500 V	25 A	1	Cross section 1,5 to 10 mm <sup>2</sup>	1	122 g	10



00685.100000

### Size DII without touch protection, DIN rail mounting

Catalog number	Item number	Rated voltage AC (IEC)	Rated voltage DC (IEC)	Rated current I <sub>n</sub>	Number of poles/phases	Connection	Cable termination	Weight	Package
00685.100000	K207055	500 V	500 V	25 A	1	Cross section 1,5 to 10 mm <sup>2</sup>	1	102 g	15



00625.171000

### Size DII with touch protection, triple-pole, DIN rail mounting

Catalog number	Item number	Rated voltage AC (IEC)	Rated voltage DC (IEC)	Rated current I <sub>n</sub>	Number of poles/phases	Connection	Cable termination	Weight	Package
00625.171000	N201768	500 V	500 V	25 A	3	Cross section 1,5 to 10 mm <sup>2</sup>	1	57 g	8



00081.110000

### Size DII with touch protection, screw mounting

Catalog number	Item number	Rated voltage AC (IEC)	Rated voltage DC (IEC)	Rated current I <sub>n</sub>	Number of poles/phases	Connection	Cable termination	Weight	Package
00081.110000	Z219189	500 V	500 V	25 A	1	Cross section 1,5 to 10 mm <sup>2</sup>	1	122 g	10



00625.111000

### Size DII with touch protection, triple-pole, screw mounting

Catalog number	Item number	Rated voltage AC (IEC)	Rated voltage DC (IEC)	Rated current I <sub>n</sub>	Number of poles/phases	Connection	Cable termination	Weight	Package
00625.111000	C201252	500 V	500 V	25 A	3	Cross section 1,5 to 10 mm <sup>2</sup>	1	450 g	8



00081.100000

### Size DII without touch protection, screw mounting

Catalog number	Item number	Rated voltage AC (IEC)	Rated voltage DC (IEC)	Rated current I <sub>n</sub>	Number of poles/phases	Connection	Cable termination	Weight	Package
00081.100000	K218670	500 V	500 V	25 A	1	Cross section 1,5 to 10 mm <sup>2</sup>	1	100 g	15



00686.410000

### Size DIII with touch protection, DIN rail mounting

Catalog number	Item number	Rated voltage AC (IEC)	Rated voltage DC (IEC)	Rated current I <sub>n</sub>	Number of poles/phases	Connection	Cable termination	Weight	Package
00686.410000	C216110	500 V	500 V	63 A	1	Cross section 2,5 to 25 mm <sup>2</sup>	2	165 g	10



# D fuse-bases

## PRODUCT RANGE



00686.400000

### Size DIII without touch protection, DIN rail mounting

Catalog number	Item number	Rated voltage AC (IEC)	Rated voltage DC (IEC)	Rated current I <sub>n</sub>	Number of poles/phases	Connection	Cable termination	Weight	Package
00686.400000	V215597	500 V	500 V	63 A	1	Cross section 2,5 to 25 mm <sup>2</sup>	2	146 g	15



00626.171000

### Size DIII with touch protection, triple-pole, DIN rail mounting

Catalog number	Item number	Rated voltage AC (IEC)	Rated voltage DC (IEC)	Rated current I <sub>n</sub>	Number of poles/phases	Connection	Cable termination	Weight	Package
00626.171000	V215091	500 V	500 V	63 A	3	Cross section 2,5 to 25 mm <sup>2</sup>	2	627 g	8



00072.410000

### Size DIII with touch protection, screw mounting

Catalog number	Item number	Rated voltage AC (IEC)	Rated voltage DC (IEC)	Rated current I <sub>n</sub>	Number of poles/phases	Connection	Cable termination	Weight	Package
00072.410000	A212543	500 V	500 V	63 A	1	Cross section 2,5 to 25 mm <sup>2</sup>	2	163 g	10



00626.111000

### Size DIII with touch protection, triple-pole, screw mounting

Catalog number	Item number	Rated voltage AC (IEC)	Rated voltage DC (IEC)	Rated current I <sub>n</sub>	Number of poles/phases	Connection	Cable termination	Weight	Package
00626.111000	N214579	500 V	500 V	63 A	3	Cross section 2,5 to 25 mm <sup>2</sup>	2	609 g	8



00072.400000

### Size DIII without touch protection, screw mounting

Catalog number	Item number	Rated voltage AC (IEC)	Rated voltage DC (IEC)	Rated current I <sub>n</sub>	Number of poles/phases	Connection	Cable termination	Weight	Package
00072.400000	H212021	500 V	500 V	63 A	1	Cross section 2,5 to 25 mm <sup>2</sup>	2	146 g	15



00685.700000

### Size DII/DIII cover caps for touch protection

Catalog number	Item number	Size	Number of poles/phases	Design	Weight	Package
00685.700000	H214068	DII	1	Width 40mm	15 g	30
00625.700000	N213061	DII	3	Width 107mm	112 g	8
00686.700000	X215093	DIII	1	Width 50mm	17 g	30
00686.709000	X215599	DIII	1	Width 54mm	18.5 g	30



02071.000000

### D Screw caps, plastic-design, with testing hole

Catalog number	Item number	Size	Thread	Rated voltage AC (IEC)	Rated voltage DC (IEC)	Rated current I <sub>n</sub>	Design	Weight	Package
02071.000000	L201720	DII	E27	500 V	500 V	25 A	with testing-hole	28.7 g	20
02072.000000	E214019	DIII	E33	500 V	500 V	63 A	with testing-hole	27.7 g	20



# D fuse-bases

## PRODUCT RANGE



00590.000200



00591.000200



00589.000000



00605.000000

### D Screw caps, porcelain-design

Catalog number	Item number	Size	Thread	Rated voltage AC (IEC)	Rated voltage DC (IEC)	Rated current I <sub>n</sub>	Weight	Package
<b>with testing-hole</b>								
00590.000200	L217130	DII	E27	500 V	500 V	25 A	38.8 g	20
00591.000200	R217641	DIII	E33	500 V	500 V	63 A	64.6 g	20
<b>with testing-hole and stainless steel</b>								
00690.000200	E218619	DII	E27	500 V	500 V	25 A	41 g	20
00691.000200	B213004	DIII	E33	500 V	500 V	63 A	37.3 g	20
<b>without testing-hole</b>								
00589.000000	Z216613	NDZ	E16	500 V	500 V	25 A	21.2 g	50
00690.000000	Z218108	DII	E27	500 V	500 V	25 A	39.5 g	20
00691.000000	F211973	DIII	E33	500 V	500 V	63 A	60 g	20
<b>long design</b>								
00605.000000	L218671	DIII	E33	690 V	-	16 A	108 g	25



01657.002000

### D Screw gauge pieces

Catalog number	Item number	Size	Rated current I <sub>n</sub>	Colour	Weight	Package
01657.002000	A219190	DII	2 A	pink	14.4 g	25
01657.004000	D219722	DII	4 A	brown	14.2 g	25
01657.006000	L222167	DII	6 A	green	14.2 g	25
01657.010000	F222921	DII	10 A	red	14.4 g	25
01657.016000	P200711	DII	16 A	grey	14.2 g	25
01657.020000	D201253	DII	20 A	blue	13.8 g	25
01657.025000	P201769	DII	25 A	yellow	12.8 g	25
01658.035000	C207071	DIII	35 A	black	23.2 g	25
01658.050000	E211512	DIII	50 A	white	22 g	25
01658.063000	J212022	DIII	63 A	copper	20.2 g	25

# D fuse-bases

## PRODUCT RANGE



01652.002000

### D Gauge rings

Catalog number	Item number	Size	Rated current I <sub>n</sub>	Colour	Weight	Package
01652.002000	W215092	DII	2 A	pink	5.9 g	25
01652.004000	W215598	DII	4 A	brown	5.9 g	25
01652.006000	D216111	DII	6 A	green	5.9 g	25
01652.010000	A216614	DII	10 A	red	5.3 g	25
01652.016000	M217131	DII	16 A	grey	4.5 g	25
01652.020000	S217642	DII	20 A	blue	3.8 g	25
01652.025000	A218155	DII	25 A	yellow	3.4 g	25
01653.002000	M218672	DIII	2 A	pink	8.7 g	25
01653.004000	E219723	DIII	4 A	brown	8.8 g	25
01653.006000	M222168	DIII	6 A	green	8.7 g	25
01653.010000	G222922	DIII	10 A	red	8.1 g	25
01653.016000	Q200712	DIII	16 A	grey	8.8 g	25
01653.020000	E201254	DIII	20 A	blue	6.8 g	25
01653.025000	Q201770	DIII	25 A	yellow	7.2 g	25
01653.035000	L207079	DIII	35 A	black	6.2 g	25
01653.050000	F211513	DIII	50 A	white	5.3 g	25



01657.993000

### Key for D Gauge pieces

Catalog number	Item number	Size	Weight	Package
01657.993000	E216112	DII/DIII	22.5 g	10



00181.900000

### D Touch protection rings

Catalog number	Item number	Size	Weight	Package
00181.900000	K222120	DII	15 g	50
00182.900000	A222870	DIII	18.7 g	40



00581.000000

### D Adapter fittings

Catalog number	Item number	Size	Design	Weight	Package
00581.000000	C212545	DII -> DIII	for DII fuse-links to DIII fuse-bases	14.1 g	24

### D Locking caps

Catalog number	Item number	Size	Thread	Rated current I <sub>n</sub>	Colour	Design	Weight	Package
02071.800000	B216615	DII	E27	25 A	black	EVU, for authorized personal only	32.5 g	5
02071.810000	N217132	DII	E33	25 A	red	Industrie	33 g	5
02072.800000	T217643	DIII	E27	63 A	black	EVU, for authorized personal only	39 g	5
02072.810000	B218156	DIII	E33	63 A	red	Industrie	38 g	5

### D Locking keys

Catalog number	Item number	Size	Weight	Package
01714.830000	J214069	D	32.9 g	1



MERSEN reserves the right to change, update or correct, without notice, any information contained in this datasheet.



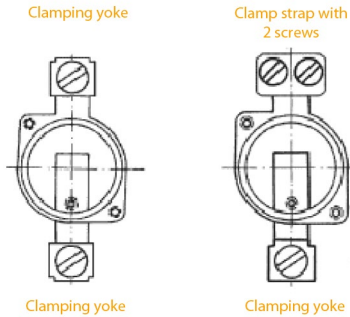
Shah & Shah Enterprise

www.shahent.co.in

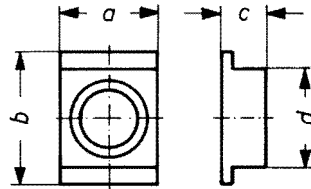
# D fuse-bases

## DIMENSIONS

### Terminal type

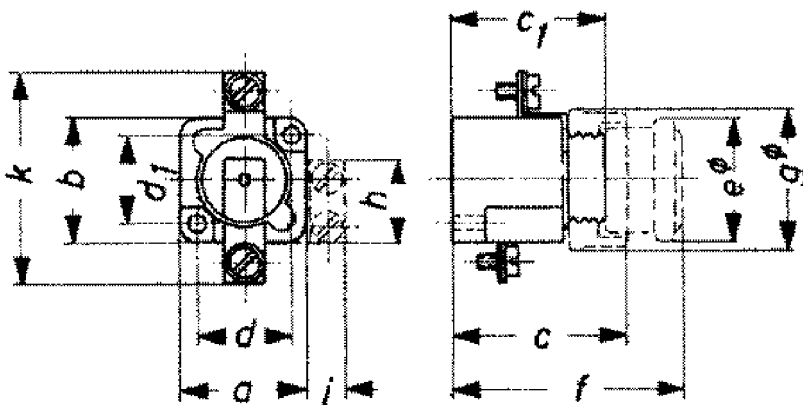


### D Protection cover



Article Number	a	b	c	d
00685.700000	40	90	22	45
00686.700000	50	90	22	45
00685.709000	45	90	22	45
00686.709000	54	90	22	45
00625.700000	107	107	51	
00626.700000	127	130	51	

### D Fuse-bases single-pole

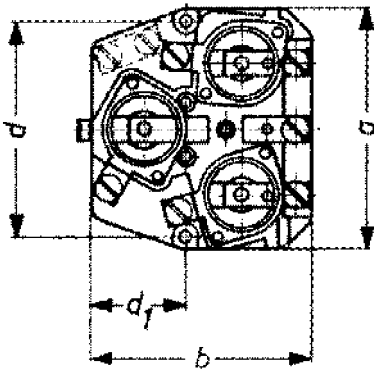
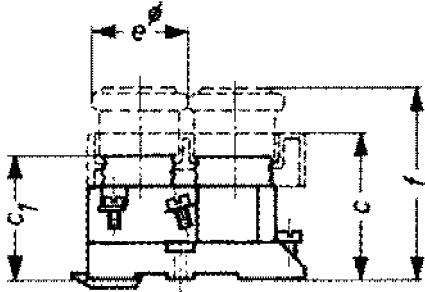


Article Number	Size	Mounting	Touch protection cover	a	b	c	c1	d	d1	eØ	f	gØ	k
00685.110000	DII	snap-on	Yes	38	40	60	46	29	27	38	82	43	60
00686.410000	DIII	snap-on	Yes	38	40	60	46	29	27	38	82	43	60
00685.100000	DII	snap-on	No	38	40	60	46	29	27	38	82	43	60
00686.400000	DIII	snap-on	No	38	40	60	46	29	27	38	82	43	60
00081.110000	DII	screw	Yes	46	44	57	48	35	33.5	48	84	52	73
00072.410000	DIII	screw	Yes	46	44	57	48	35	33.5	48	84	52	73
00081.100000	DII	screw	No	46	44	57	48	35	33.5	48	84	52	73
00072.400000	DIII	screw	No	46	44	57	48	35	33.5	48	84	52	73

# D fuse-bases

## DIMENSIONS

### D Fuse-bases triple-pole



Article Number	Size	Mounting	a	b	c	c1	d	d1	eØ	f
00625.171000	DII	snap-on	90	81	54.5	46	80	35	37	81
00626.171000	DIII	snap-on	109	100	54.5	46	95	49.5	46.5	81
00625.111000	DII	screw	107	107	51					
00626.111000	DIII	screw	127	130	51					